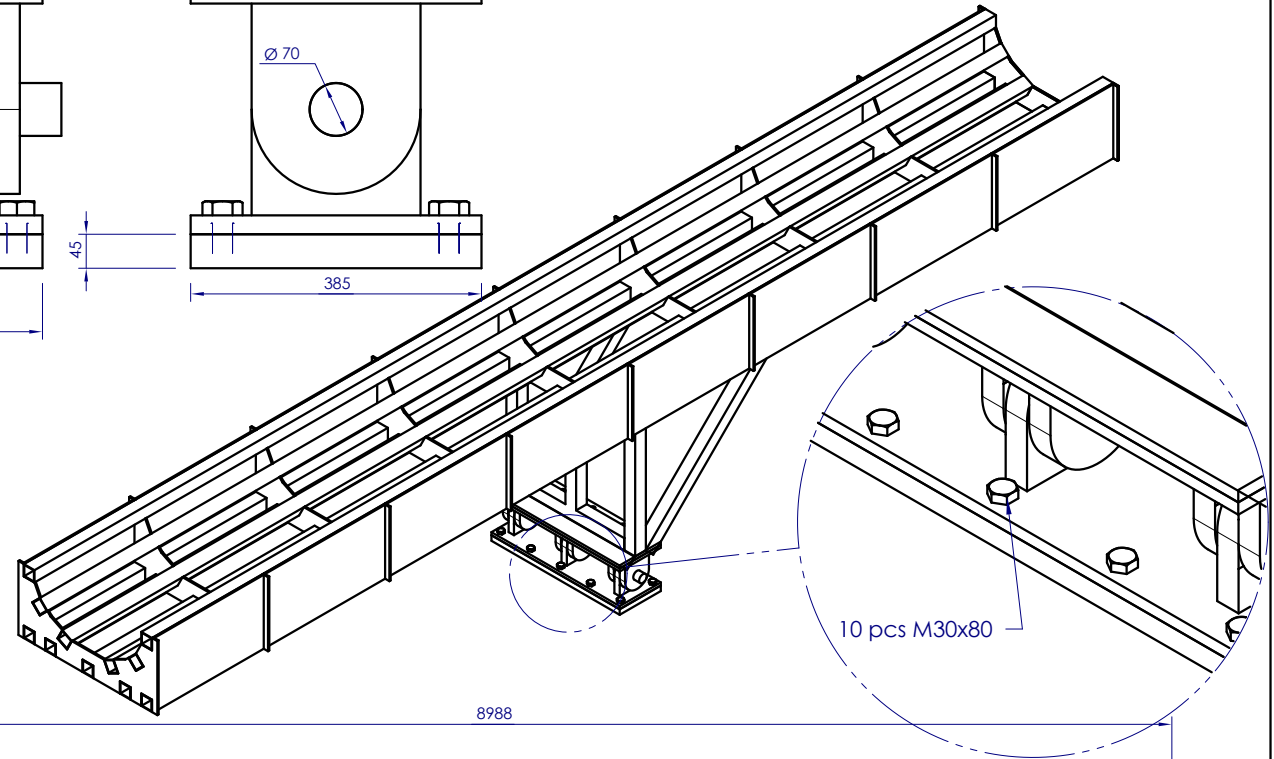
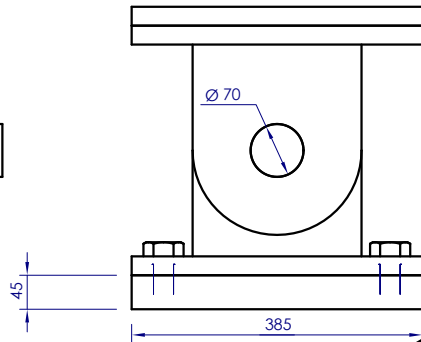
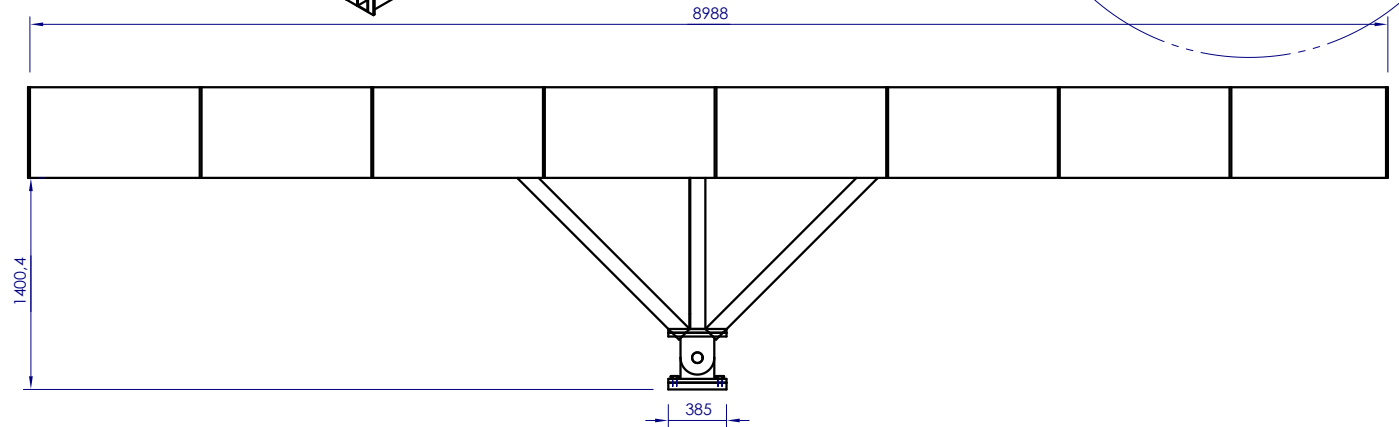
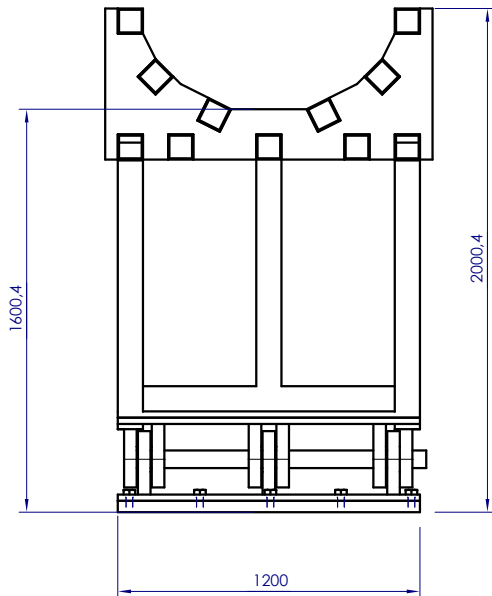


New all steel bottom foundation



10 pcs M30x80



Item	Part Name	Part No.	Qty	Description
------	-----------	----------	-----	-------------



Name & Description  
Hugin cradle

Project No. / Part No.	Drawn By marboh	Rev No
Drawing Hugin RAN LR Cradle	Drawn Date 2020-05-13	Page 1 (1)